

MASTERTEMP® HEATER

HIGH PERFORMANCE HEATER

TRADEGRADE



MasterTemp High Performance Heater

Featured Highlights

- Heats up fast so no long waits before enjoying your pool or spa
- Best-in-class energy efficiency*
- Manual gas shut-off when service is required
- Eco-friendly MasterTemp Heater is certified for low NOx emission and outperforms industry standards
- Rotating digital display allows for easy viewing
- Tough, rustproof exterior handles the heat and weathers the elements
- Certified for outdoor and indoor installations
- For Air Intake Kit order part number 461031

MasterTemp heaters offer all the efficiency, convenience and reliability features you want in a pool heater, plus a lot more. As easy to use as your home heating system, plus, user-friendly LCD display and troubleshoot icons make system operation and monitoring a snap. The compact design and super-quiet operation won't intrude on your poolside leisure time. Heavy-duty (HD) unit with cupro-nickel exchanger stands up to the harshest of applications, like low pH, high flow or heavy use.

Ordering Information

| Product | Gas Type | BTU (000's) | Carton Qty./Carton Wt. LBS |
|---------------------------|----------|-------------|----------------------------|
| MASTERTEMP HEATERS | | | |
| 460792 | Natural | 175 | 1/128 |
| 460793 | Propane | 175 | 1/128 |
| 460730 | Natural | 200 | 1/128 |
| 460731 | Propane | 200 | 1/128 |
| 461000 | Natural | 200 ASME | 1/138 |
| 461001 | Propane | 200 ASME | 1/138 |
| 460732 | Natural | 250 | 1/133 |
| 460733 | Propane | 250 | 1/133 |
| 460771 | Natural | 250 ASME | 1/140 |
| 460772 | Propane | 250 ASME | 1/140 |
| 461020 | Natural | 250 ASME HD | 1/140 |
| 460806 | Natural | 250HD | 1/136 |
| 460734 | Natural | 300 | 1/136 |
| 460735 | Propane | 300 | 1/136 |
| 460736 | Natural | 400 | 1/136 |
| 460737 | Propane | 400 | 1/136 |
| 460805 | Natural | 400HD | 1/136 |
| 460775 | Natural | 400ASME | 1/149 |
| 461021 | Natural | 400 ASME HD | 1/149 |
| 460776 | Propane | 400ASME | 1/149 |

Note:

The MasterTemp High Performance Heater is certified for low NOx emissions.

Standard Copper Heat Exchanger
84% Efficient.

Heavy-Duty (HD) Cupro-Nickel Heat Exchanger 82% Efficient.

CALIFORNIA PROPOSITION 65 WARNING

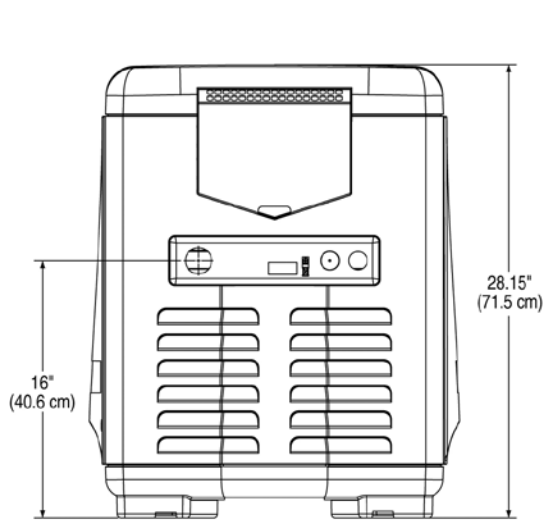
⚠️ **WARNING:** Cancer and Reproductive Harm.
 ⚠️ **AVERTISSEMENT:** Peut Causer le Cancer et des Dommages au Système Reproducteur.
 ⚠️ **ADVERTENCIA:** Cáncer y Daño Reproductivo.
www.p65warnings.ca.gov

PN12017A

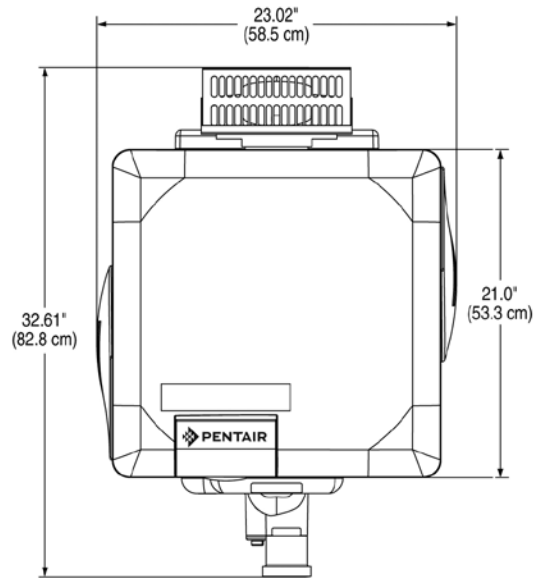
MASTERTEMP® HEATER (CONT'D)

HIGH PERFORMANCE HEATER

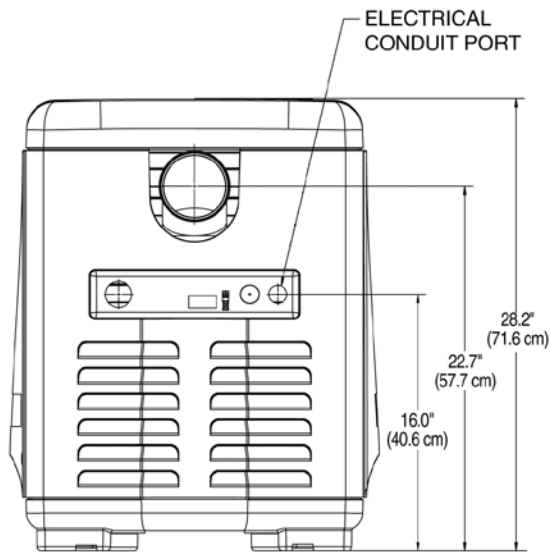
Dimensions and Performance



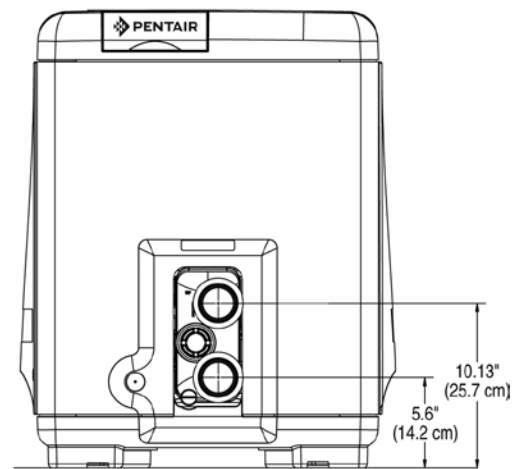
FRONT



TOP



EXHAUST SIDE



PLUMBING SIDE

See pages 427–431 for replacement parts.